

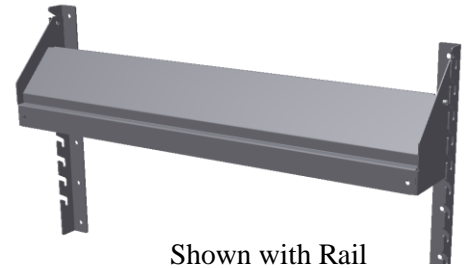
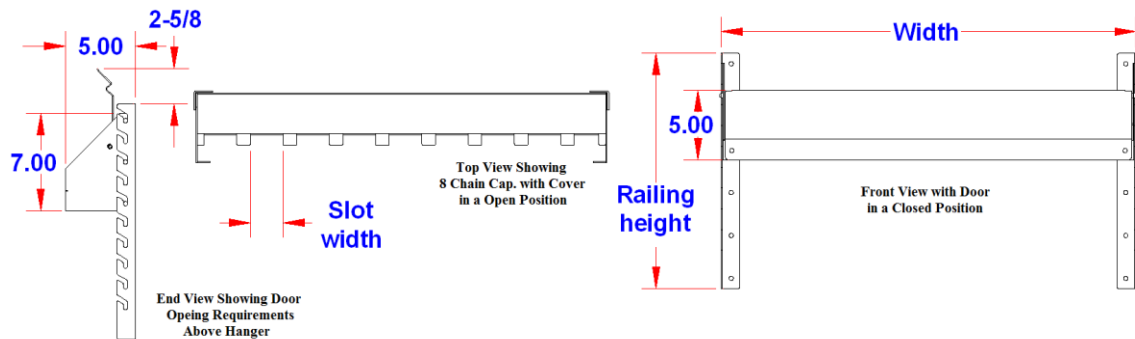
CH-SF2 Series = Steel Chain Hangers with Cover

CH-SF2 series chain hangers are heavy duty and mounted inside box to store and organize your chains and chain binders. Hangers come with adjustable vertical rail kit. Hangers can be ordered in any size to fit any box. All AMERICAN TRUCKBOXES chain hanger kits are designed and built to keep your chains organized.

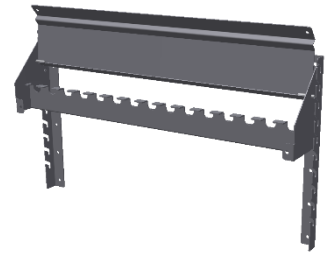
Description

- 12 & 14 gauge steel powder coated

Part Number	Box Series	Bolt Size	Weight Lbs.	Load Rating
CH-SF2-3319	RB-Rack Outside	5/16	9	N/A
CH-SF2-3325	RB-Rack Middle	5/16	11	N/A



Shown with Rail



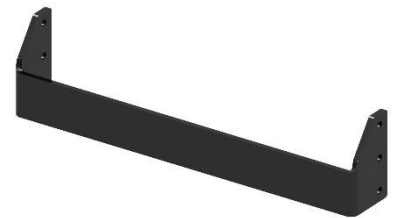
CHS Series = Steel Chain Hangers Strap

CHS series chain hangers strap are heavy duty and mounted inside box to store and organize your chains and chain binders. Hangers are different depths, height adjustable and mounted on vertical rail kit. Hangers can be ordered in any size to fit any box. All AMERICAN TRUCKBOXES chain hanger kits are designed and built to keep your chains organized.

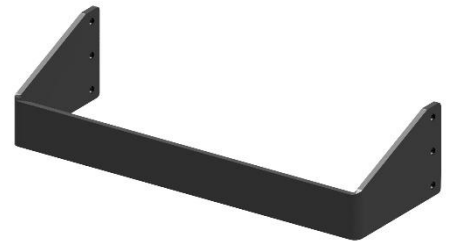
Description

- 1/4" steel powder coated

Part Number	Box Series	Bolt Size	Weight Lbs.	Load Rating
CHS7-3319	RB-Rack Outside	5/16	5.1	N/A
CHS7-6619	RB-Rack Outside	5/16	6.6	N/A
CHS7-3325	RB-Rack-Middle	5/16	6.4	N/A
CHS7-6625	RB-Rack-Middle	5/16	7.9	N/A



Small Unit



Deeper Unit

