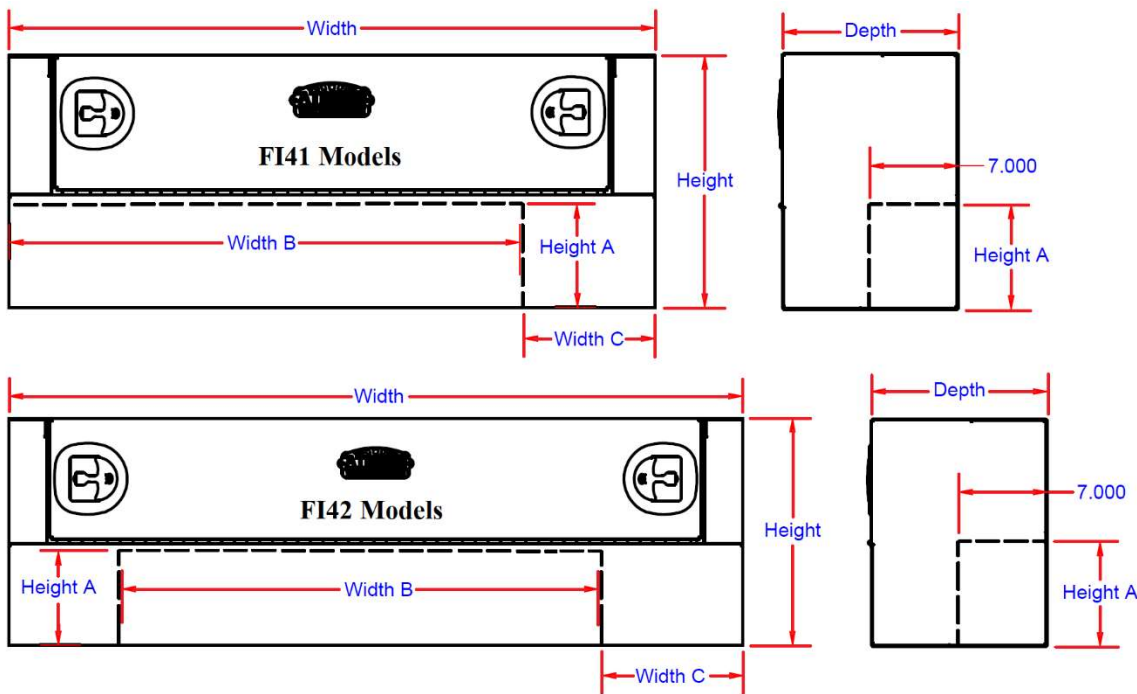
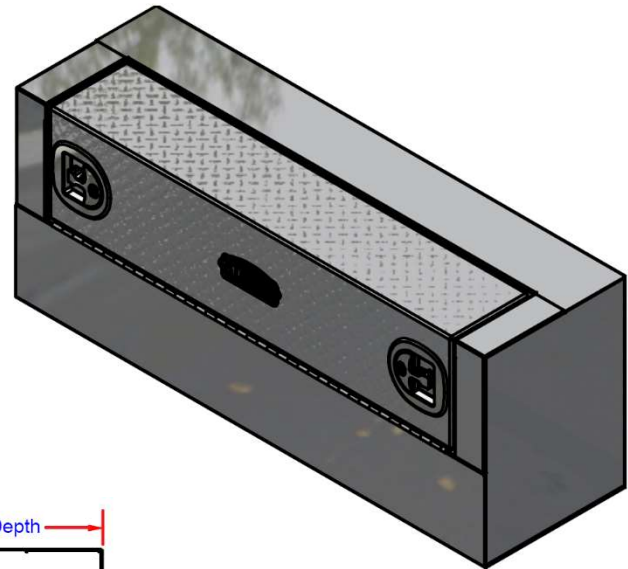


FI - Fender Inside Boxes- Aluminum

Fender inside boxes are a ultimate storage solution for your pickup truck under the tarp applications. Boxes can be mounted in truck bed, inside and over fender, cuddling the fender. These boxes are perfect for storing your equipment, tool and gear. Fender boxes come in different sizes and can be ordered custom sizes. All AMERICAN TRUCKBOXES boxes are designed and built to keep your tools safe and secure.

Description

- An engineered aluminum construction
- Optional zinc epoxy primer with MR powder baked topcoat finish
- Lockable stainless-steel DT-T-Handle Lock
- Automotive weather seal
- Stainless steel hinge
- Mounting kit included - M3200D



Notes: Boxes are available in: Black (B) and White (W) Finish – add after part number.

*Add a L-for Left Side of Truck Box (Driver Side) and a R-for Right Side of Truck Box (Passenger Side).

No.	Model Number	Material	Height (in.)	Depth (in.)	Width (in.)	Height A (in.)	Width B (in.)	Width C (in.)	Fits Box	Weight (lb.)
1.	A-FI41-181046D*-T	.090 Smooth/.100 TP	18	10	46	8.25	36	10	6'	36
2.	A-FI41-181246D*-T	.090 Smooth/.100 TP	18	12	46	8.25	36	10	6'	40
3.	A-FI41-181446D*-T	.090 Smooth/.100 TP	18	14	46	8.25	36	10	6'	42
4.	A-FI42-181058D*-T	.090 Smooth/.100 TP	18	10	58	8.25	36	14	6.5'	44
5.	A-FI42-181258D*-T	.090 Smooth/.100 TP	18	12	58	8.25	36	14	6.5'	48
6.	A-FI42-181458D*-T	.090 Smooth/.100 TP	18	14	58	8.25	36	14	6.5'	50
7.	A-FI42-181076D*-T	.090 Smooth/.100 TP	18	10	76	8.25	36	20	8'	56
8.	A-FI42-181276D*-T	.090 Smooth/.100 TP	18	12	76	8.25	36	20	8'	60
9.	A-FI42-181476D*-T	.090 Smooth/.100 TP	18	14	76	8.25	36	20	8'	63

Note: Measure your truck to make sure box will fit mounting area. Boxes are available in different configuration and custom sizes.