

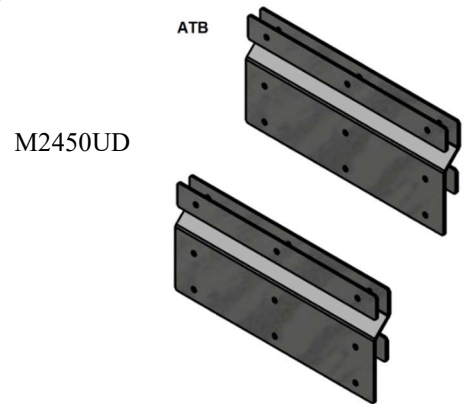
M2450D Series = Aluminum Underbody Top Mount Application

Adjustable under deck top mount brackets are heavy duty, and mounted to box and under van cross beam applications. All ATB mounting kits are designed and built to keep your boxes safe and secure. (See Mounting Kit Installation Sheet for more information)

Description

- An engineered .190 (7g) Aluminum Construction
- Predrilled holes adjustable for easy mounting

| No. | Part Number | Application | Height Width | Weight Per Set | Load Rating |
|-----|----------------|-------------|--------------|----------------|--------------|
| 1. | M2450UD-6-18B | Under Deck | 6"x 15.5" | 13 lbs. | 250 lbs. Max |
| 2. | M2450UD-6-20B | Under Deck | 6"x 17.5" | 14 lbs. | 250 lbs. Max |
| 3. | M2450UD-6-22B | Under Deck | 6"x 19.5" | 15 lbs. | 250 lbs. Max |
| 4. | M2450UD-6-24B | Under Deck | 6"x 21.5" | 16 lbs. | 250 lbs. Max |
| 5. | M2450UD-12-18B | Under Deck | 12"x 15.5" | 20 lbs. | 250 lbs. Max |
| 6. | M2450UD-12-20B | Under Deck | 12"x 17.5" | 12 lbs. | 250 lbs. Max |
| 7. | M2450UD-12-22B | Under Deck | 12"x 19.5" | 24 lbs. | 250 lbs. Max |
| 8. | M2450UD-12-24B | Under Deck | 12"x 21.5" | 26 lbs. | 250 lbs. Max |



M3200 Series = Top & Deck Mount Application

Top deck mount brackets are used for mounting boxes to a deck or flat surface. All ATB mounting kits are designed and built to keep your boxes safe and secure.

Description

- Fasteners and Rubber
- Requires drilling on box and mounting surface

| No. | Part Number | Box Series | Bolt Size | Weight Per Set | Load Rating |
|-----|-------------|------------|-----------|----------------|-------------|
| 1. | M3200D | SG - SR | 5/16" | 2 lbs. | Bolt-N/A |
| 2. | M3200D-DU2 | DU41-DU42 | 5/16" | 4 lbs. | Bolt-N/A |
| 3. | M3200D-DU3 | DU41-DU42 | 5/16" | 6 lbs. | Bolt-N/A |
| 4. | M3250A-6 | AF-SF-GB | 5/16" | 4 lbs. | Bolt-N/A |



M3400 Series = Frame Mount Application.

Frame mount brackets are used to mount boxes to frame on truck. All ATB mounting kits are designed and built to keep your boxes safe and secure.

Description

- Steel construction
- Zinc epoxy primer with MR powder baked topcoat finish
- U-Bolt system requires no drilling to frame

| No. | Part Number | Description/Box | Bolt Size | Weight Per Set | Load Rating |
|-----|---------------|---|--------------|----------------|----------------------|
| 1. | M3450C | 4=U-Bolts, Washer and Nuts Only – 3.0" x 14" ID | 5/8" | 12 lbs. | U-Bolt-N/A |
| 2. | M3452C | 4=U-Bolts, Plates, Rubber, Washer and Nuts - 3.0" ID | 5/8" | 18 lbs. | U-Bolt-N/A |
| 3. | M3454C | CP Boxes - U-Bolt Mount Kit with Springs/CP Boxes | 5/8" | 28 lbs. | CP Boxes U-Bolt-NA |
| 4. | M3460C | CP Boxes - U-Bolt Mount Kit (Ford F350-F450-F550 2017 Plus)/CP Boxes | 3/8" 5/8" | 20 lbs. | U-Bolt-NA |
| 5. | M3460-250-52B | CP Cross-Pack Mounting Adapter Brackets (Ford F350-F450-F550 2017 Plus) | 3/8" 5/8" | 55 lbs. | CP Boxes Bracket N/A |

