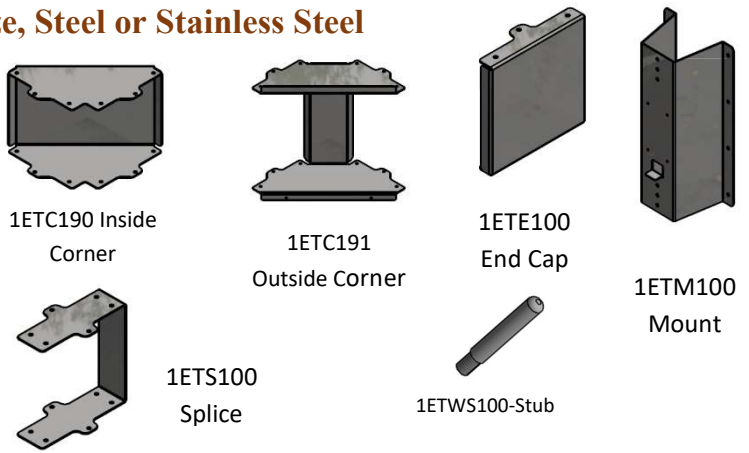


ET – Electrical Trough Tray Sections – Galvanize, Steel or Stainless Steel

Electric trough system are heavy duty and offer easy access to your electric wires. Trough system can be mounted on a wall, hung from ceiling or any horizontal flat surface. Electrical troughs are available in different sizes, and can be ordered custom size. All AMERICAN TRUCKBOXES troughs are designed and built to keep your wires organized and secure.

Description

- An engineered galvanized, steel or stainless steel construction
- Zinc epoxy primer with MR Powder baked topcoat finish
- Can be mounted directly to wall or with optional bracket
- Optional wall mounting brackets to elevate trough from wall
- Optional inside shelf horizontal divider
- Top hung cover for easy closure
- Stubs bolted in trough to keep wires inside – 1ETWS100-2
- Can be ordered in custom sizes.
- Listing pending – For indoor use only



Part Number Chart Guide													
No.	Model Number	Desc.	Height (in.)	Depth (in.)	Width (in.)	Material	No.	Model Number	Desc.	Height (in.)	Depth (in.)	Width (in.)	Material
1.	1ETC190 (- HD - *)	Corner-Inside	4" thru 24"	4" thru 12"	4" thru 14"	.14g	5.	1ETD100 (- D - * - W)	Shelf	N/A	3" thru 11"	12" thru 144"	14g
2.	1ETC191 (- HD - *)	Corner-Outside	4" thru 24"	4" thru 12"	4" thru 14"	.14g	6.	1ETC100 (- H - *)	Cover	4" thru 24"	N/A	12" thru 144"	14g
3.	1ETE100 (- HD - *)	End Cap	4" thru 24"	N/A	4" thru 14"	.14g	7.	1ETT100 (- HD - * - W)	Trough	4" thru 24"	4" thru 12"	12" thru 144"	14g
4.	1ETS100 (- HD - *)	Splice	4" thru 24"	4" thru 12"	N/A	14g	8.	1ETM100 (- H - *)	Mount	4" thru 24"	N/A	N/A	14g

Model Number Notes: H = Height and D = Depth and W = Width * G=Galvanized Steel, SG=Steel Powder Coated Gray (Color) or SS=Stainless Steel

No.	Model Number	Description	Height (in.)	Depth (in.)	Width (in.)	Material	Weight (lbs.)
1.	1ETC190-44-G	Corner Inside	4"	4"	4"	.14g	2.3
2.	1ETC191-44-G	Corner Outside	4"	4"	4"	.14g	2.4
3.	1ETE100-44-G	End Cap	4"	N/A	4"	.14g	0.8
4.	1ETS100-44-G	Splice	4"	6"	N/A	14g	0.5
5.	1ETD100-4-G-22	Shelf	N/A	3"	22"	14g	2.5
6.	1ETC100-4-G-120	Cover	4"	N/A	120"	14g	17.2
7.	1ETT100-44-G-120	Trough	4"	4"	120"	14g	36.0
8.	1ETM100-4-G	Mount	4"	N/A	N/A	14g	2.8
9.	1ETC190-66-G	Corner Inside	6"	6"	6"	.14g	3.6
10.	1ETC191-66-G	Corner Outside	6"	6"	6"	.14g	3.0
11.	1ETE100-66-G	End Cap	6"	N/A	6"	.14g	1.3
12.	1ETS100-66-G	Splice	6"	6"	N/A	14g	0.8
13.	1ETD100-6-G-22	Shelf	N/A	5"	22"	14g	3.6
14.	1ETC100-6-G-120	Cover	6"	N/A	120"	14g	24.0
15.	1ETT100-66-G-120	Trough	6"	6"	120"	14g	52.0
16.	1ETM100-6-G	Mount	6"	N/A	N/A	14g	4.2
17.	1ETC190-106-G	Corner Inside	10"	6"	6"	.14g	3.6
18.	1ETC191-106-G	Corner Outside	10"	6"	6"	.14g	3.7
19.	1ETE100-106-G	End Cap	10"	N/A	6"	.14g	1.7
20.	1ETS100-106-G	Splice	10"	6"	N/A	14g	1.0
21.	1ETC100-10-G-120	Cover	10"	N/A	120"	14g	36.0
22.	1ETT100-106-G-120	Trough	10"	6"	120"	14g	63.0
23.	1ETM100-10-G	Mount	10"	N/A	N/A	14g	5.6

