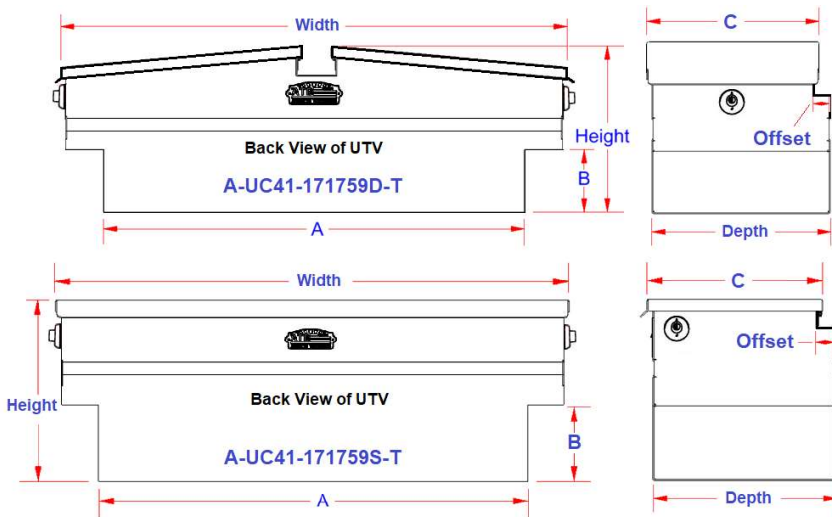


## UC – UTV Cross Boxes – Aluminum – Top Open Lid(s)

UTV cross boxes are heavy duty and offer a great way to transfer your tools, equipment, cargo, game and/or hunting gear. Boxes can be mounted on the back of UTV or many other applications. Boxes are available in different sizes, come with sliding tray and can be ordered custom size. All AMERICAN TRUCKBOXES boxes are designed and built to keep your equipment safe and secure.

### Description

- An engineered .090 smooth / .100 tread aluminum construction
- Fully seam welded on all seams and corners
- Stainless steel continuous hinge full length of lid
- Unique design for perfect fit and looks
- Lockable automotive stainless-steel latch with smooth rotary action and adjustable lock striker for positive weather seal
- Channel braced reinforced lid with gas springs
- Sliding tray with adjustable dividers
- Fully concealed rain gutter and automotive type weather seal
- Mounting kit not included



**Note:** UTV's listed are design on demand; boxes can be ordered for any UTV vehicle. Double check your measurements.

No.	Model Number	UTV	Material	Height (in.)	Depth (in.)	Width (in.)	A (in.)	B (in.)	C (in.)	Offset (in.)	Weight (lb.)
1.	A-UC41-171359D-T	JD Gator/Polaris Kubota CAM-DEF	.090 S/ .100 TP	17	13	59	50.5	7.0	11	1.5	65
2.	A-UC41-171759D-T	JD Gator/Polaris Kubota CAM-DEF	.090 S/ .100 TP	17	17	59	50.5	7.0	15	1.5	72
3.	A-UC41-171359S-T	JD Gator/Polaris Kubota CAM-DEF	.090 S/ .100 TP	17	13	59	50.5	7.0	11	1.5	52
4.	A-UC41-171759S-T	JD Gator/Polaris Kubota CAM-DEF	.090 S/ .100 TP	17	17	59	50.5	7.0	15	1.5	58