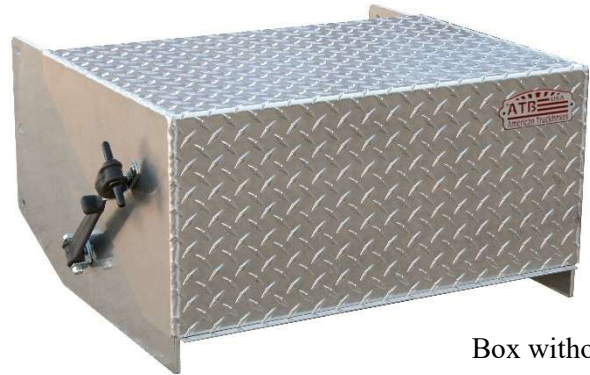


BB - Battery Boxes - Aluminum Front Open Single Lid.

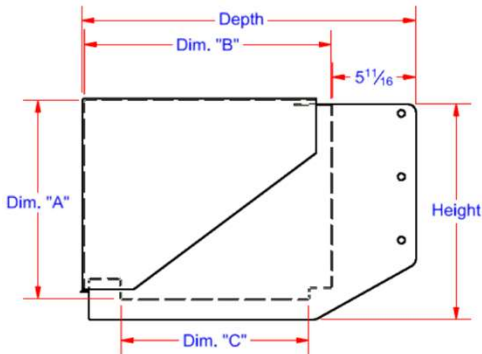
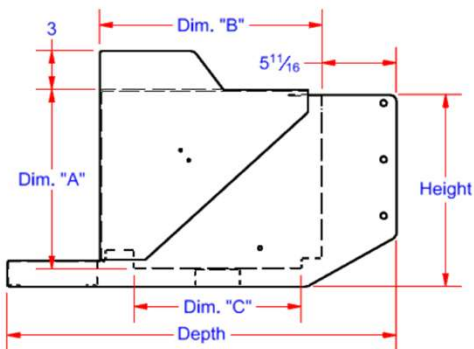
Battery boxes are super heavy duty and offer easy access to batteries from side of the truck. Boxes are available with or without steps. Battery boxes are available in different sizes and can be ordered in custom size. All AMERICAN TRUCKBOXES boxes are designed and built to keep your batteries secure.

Description

- An engineered aluminum construction
- Fully seam welded on all seams and corners
- Strut grip steps or no steps
- Rubber heavy duty lid latch kit
- Easy removable lid
- Reinforced bottom channel
- Battery holder 1.5" strap for group 31 batteries
- Mounting kit not included: (Kits Av. = M3050C (add 20lbs. to weight))



Box without Step



No.	Model Number	Material	Batteries	Height (in.)	Depth (in.)	Width (in.)	Dim "A" (in)	Dim "B" (in)	Dim "C" (in.)	Weight (lb.)
1.	A-BB41-152317-T	.090 Smooth/.100 TP	2	15	23	17	13-11/16	16-7/8	12-13/16	26
2.	A-BB41-152324-T	.090 Smooth/.100 TP	3	15	23	24	13-11/16	16-7/8	12-13/16	34
3.	A-BB41-152916-T	.090 Smooth/.100 TP	3	15	29	16	13-11/16	24-7/8	20-13/16	37
4.	A-BB41-152330-T	.090 Smooth/.100 TP	4	15	23	30	13-11/16	16-7/8	12-13/16	43
5.	A-BB41S-153024-T	.090 Smooth/.100 TP	3	15	30	24	13-11/16	16-7/8	12-13/16	48
6.	A-BB41S-153030-T	.090 Smooth/.100 TP	4	15	30	30	13-11/16	16-7/8	12-13/16	60