

TT – Tank - Chest Combo Boxes - Steel or Aluminum

Tanks are heavy duty, and offer auxiliary supply for water, diesel, oil and/or biofuels. Tank chest can be mounted on or in truck box, flatbed and trailer. It is the user's responsibility to comply with local, state and federal requirements pertaining to safe transportation, loading and discharging of tank contents. These tanks are not intended to be used for gasoline or cannot be used to transfer gasoline to another vehicle. ATB Secure & Trusted Design.



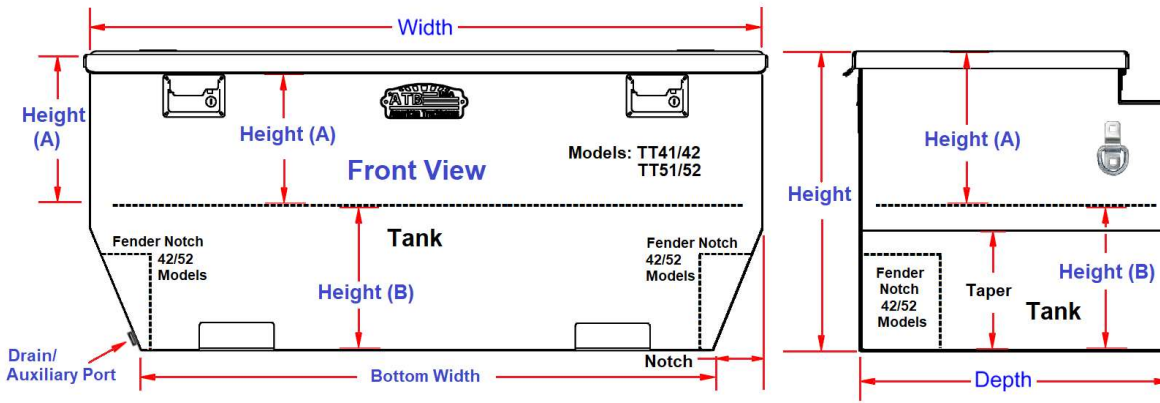
TFC21-AU-A



A-TT51 or S-TT41 Tank



A-TT52 or S-TT42 Tank



Note: *Tanks are available in multiple colors: Black (B) and White (W) Finish

No.	Model Number	Material	Height (in.)	Depth (in.)	Width (in.)	Height A (in.)	Height B (in.)	Depth A (in.)	Baffles	Fender Notched	Pickup Box	Mounting Kit	Cap. (Gals)	Weight (lb.)
1.	A-TT51-191758-TT	.125 Alum	19	17	58	6	13	N/A	1	No	6.5'	M3702	45	120
2.	A-TT51-202058-TT	.125 Alum	20	20	58	6	14	N/A	1	No	6.5'	M3705	58	136
3.	A-TT51-202458-TT	.125 Alum	20	24	58	6	14	N/A	2	No	8'	M3705	68	148
4.	S-TT41-192058-*	14g Steel	19	20	58	6	13	N/A	1	No	6.5'	M3702	44	242
5.	S-TT41-192458-*	14g Steel	19	24	58	6	13	N/A	1	No	8'	M3702	48	262
6.	A-TT52-202458-TT	.125 Alum	20	24	58	6	14	N/A	2	Yes	6.5'	M3705	66	152
7.	A-TT52-203062-TT	.125 Alum	20	30	62	6	14	N/A	2	Yes	8'	M3705	104	210
8.	S-TT42-192058-*	14g Steel	19	20	58	6	13	N/A	1	Yes	6'	M3702	50	246
9.	S-TT42-192458-*	14g Steel	19	24	58	6	13	N/A	2	Yes	6.5'	M3705	62	266

Note: Tanks are available in different configuration and custom sizes; call the factory for different sizes and options.

Tanks should be mounted to ATB mounting installation guideline. Failure to properly mount tank will void warranty.