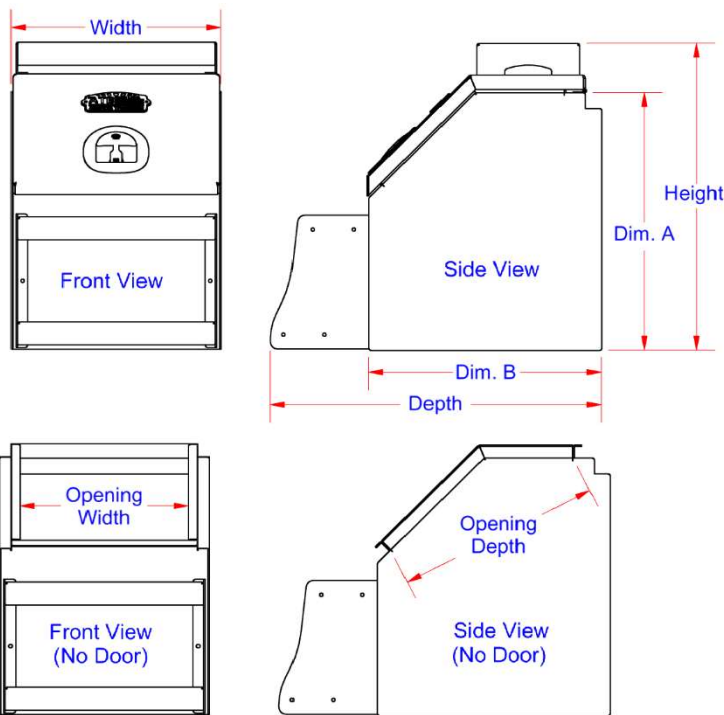


SB – Step Saddle Boot Boxes - Aluminum Single Bottom Open Door

Step saddle boot boxes are super heavy duty, high capacity and offer easy access from side of the truck. Boxes are available with or without steps. Step boxes are available in different sizes, ranging from 12” to 48” or can be ordered in custom widths. All AMERICAN TRUCKBOXES boxes are designed and built to keep your equipment safe and secure.

Description

- An engineered aluminum construction
- Fully seam welded on all seams and corners
- Stainless steel continuous hinge on full length of lid
- Replaceable top and bottom steps and mounts
- Laser cut strut grip steps (S), or no steps
- Reinforced .188 (7g) back for a more secure mounting
- Lockable SS Dolphin Tail HD adjustable T-handle latch
- All corners are gusseted for added strength and durability
- Fully concealed rain gutter, with automotive type weather seal
- Mounting kit not included: (Kits Av.= M3000H • M3000C • M2100C)



Note: Box door is available in: Standard = Smooth (S) or for Diamond Tread (T) and Mirror (M) - change end of part number.

No	Model Number	Material	Height (in.)	Depth (in.)	Width (in.)	Dim "A" (in)	Dim "B" (in)	Door Opening Height (in.)	Door Opening Width (in.)	Weight (lb.)
1.	A-SB51-242012T-S	.125 Smooth	24	20	12	No Step	No Step	17-1/2	8-3/8	38
2.	A-SB51-242018T-S	.125 Smooth	24	20	18	No Step	No Step	17-1/2	14-3/8	45
3.	A-SB51-242024T-S	.125 Smooth	24	20	24	No Step	No Step	17-1/2	20-3/8	52
4.	A-SB51S-262812T-S	.125 Smooth	26-3/4	28-1/4	12	24	20	17-1/2	8-3/8	45
5.	A-SB51S-262818T-S	.125 Smooth	26-3/4	28-1/4	18	24	20	17-1/2	14-3/8	54
6.	A-SB51S-262824T-S	.125 Smooth	26-3/4	28-1/4	24	24	20	17-1/2	20-3/8	63
7.	A-SB51S-262830T-S	.125 Smooth	26-3/4	28-1/4	30	24	20	17-1/2	26-3/8	75
8.	A-SB51S-262836T-S	.125 Smooth	26-3/4	28-1/4	36	24	20	17-1/2	32-3/8	82
9.	A-SB51S-262848T-S	.125 Smooth	26-3/4	28-1/4	48	24	20	17-1/2	44-3/8	99