

## CBR-0011

### Mid Crossbar Kit Module

Dimensional Specifications on Page 2

#### Configuration as shown:

Rotation Left  
w/ Front Drive Shaft, Connecting Bar, and Hardware  
One Crossbar, Powder Coat Finish  
Weight: 11 lbs

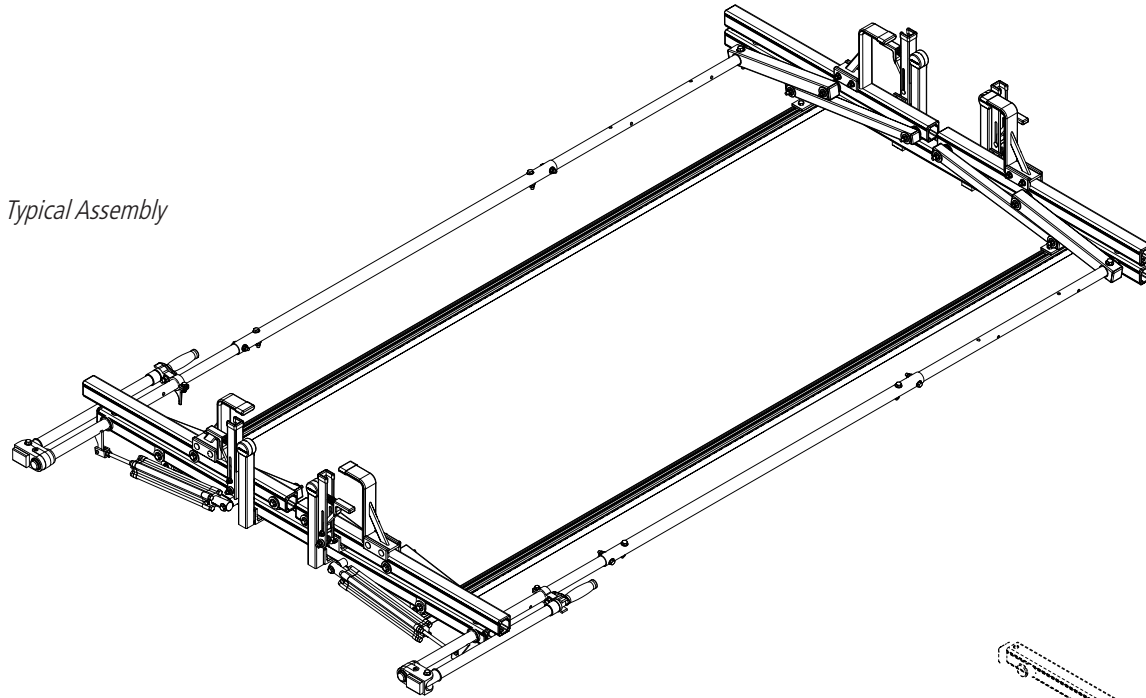
CBR-7210-62 Middle Crossbar  
ELR-1202 2' Connecting Bar  
ELR-8064 Front Drive Shaft, 11.75"  
HKT-8407 Rotation Hardware  
MPK-0010 Crossbar Mounting System

#### Load specifications as shown:

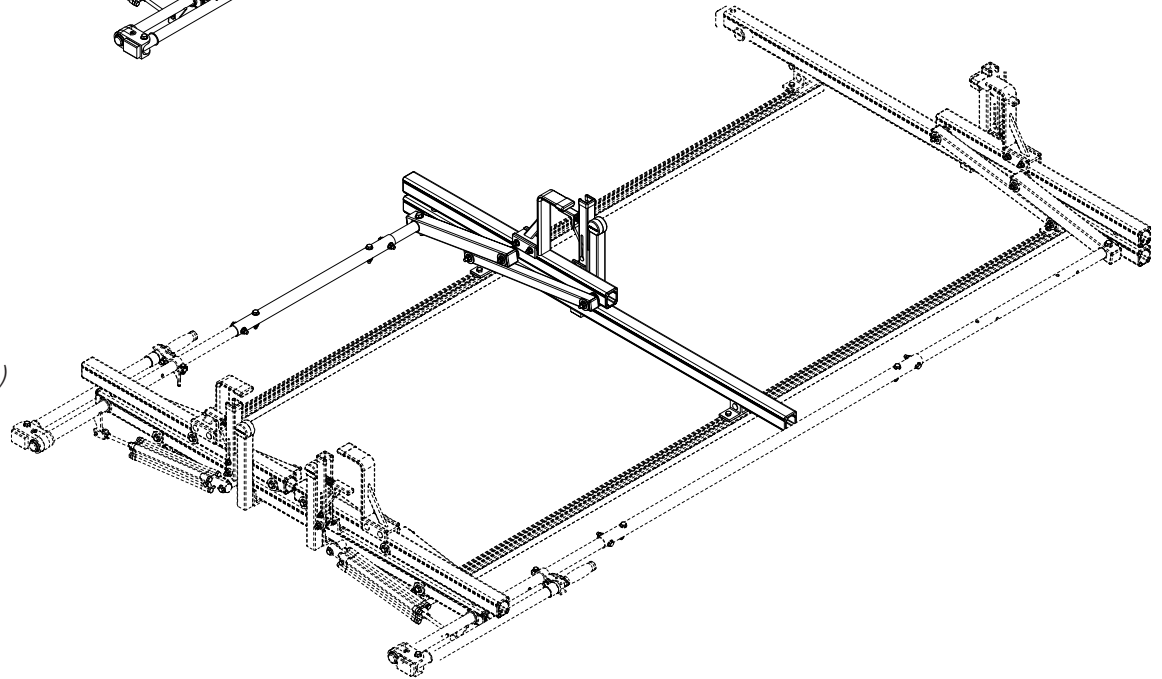
Maximum Ladder Weight LH..... 75 lbs  
Maximum Ladder Length LH..... 32 ft  
Maximum Ladder Section LH..... 16 ft

[Modular Assembly Manuals](#)

*Typical Assembly*



*Assembly with CBR-0011  
(over typical assembly image)*

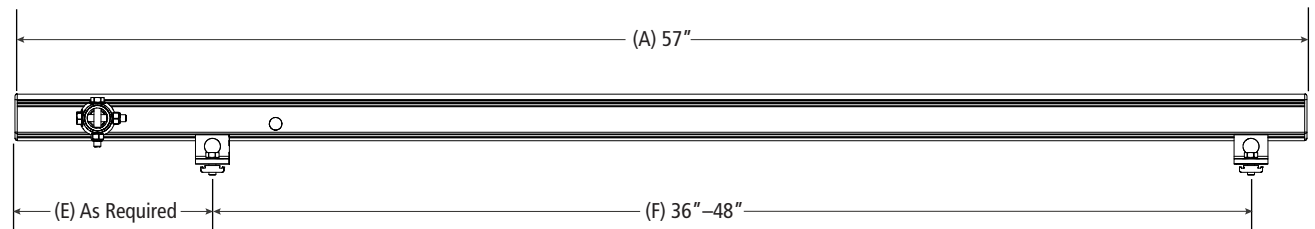
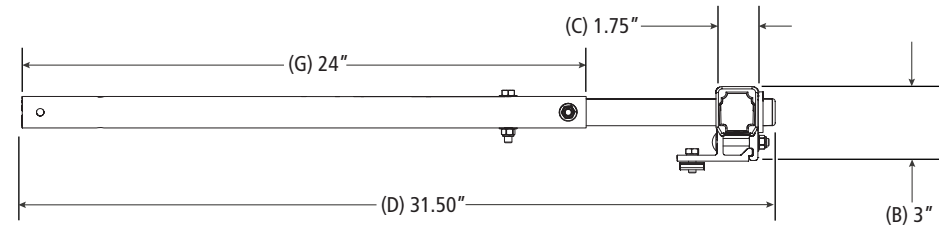
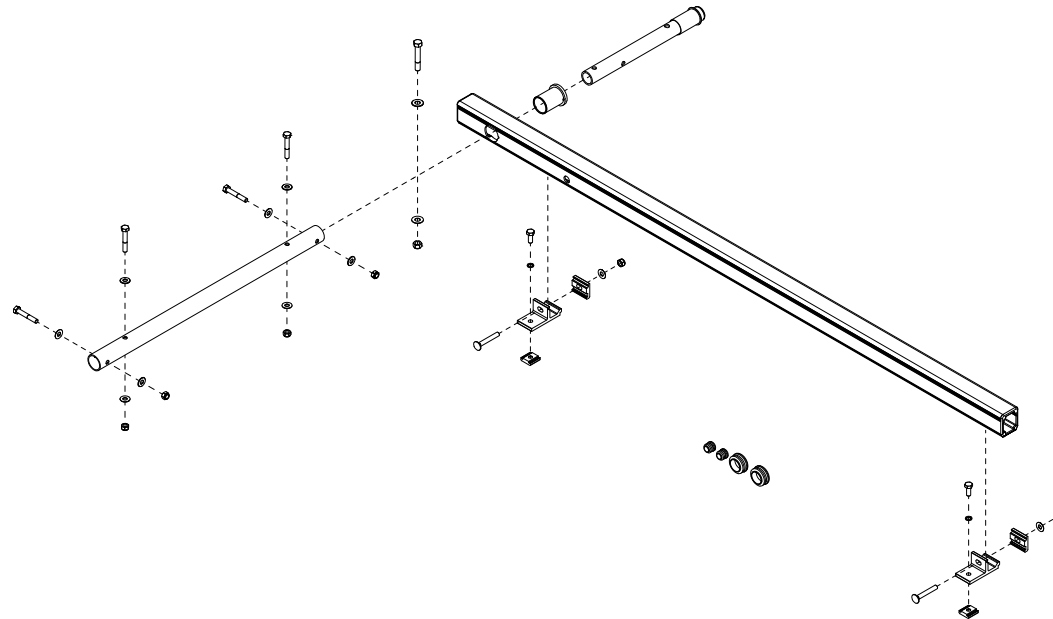


## CBR-0011

### Mid Crossbar Kit Module

Approximate dimensions as shown:

- A: Crossbar Length.....57"
- B: Crossbar Height w/Mounts .....3"
- C: Crossbar Width .....1.75"
- D: Total Assembly Width .....31.50"
- E: Mount Offset LH..... As Required
- F: Mount Spacing L/R .....36"-48"
- G: Connecting Bar Length.....24"



Assembly Manual also available:

[CBR-0011](#)

USOV-CBR0011-US01 Rev-A 0118