

**FT- Fender Top Drawer Boxes - Aluminum**

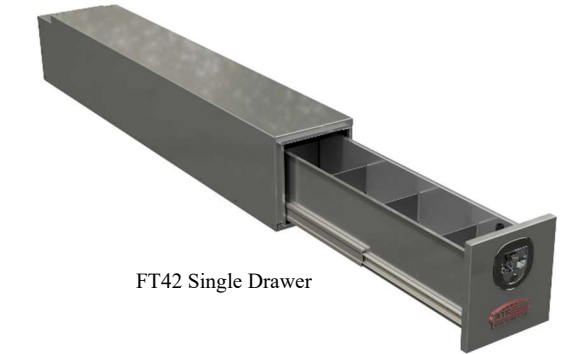
Fender top drawer boxes are ultimate storage solution for your pickup truck under the tarp applications; heavy duty and offer easy access to your equipment and tools. Boxes can be mounted in truck bed over the fender. These boxes are perfect for storing your equipment, tools and personal gear. Fender boxes are available in different sizes and can be ordered custom size. All AMERICAN TRUCKBOXES boxes are designed and built to keep your equipment safe and secure.

Description
• An engineered aluminum construction
• Stainless Steel hinge on full length of door/Lid
• Lockable SS Dolphin Tail HD adjustable T-handle latch
• Hemmed adjustable dividers
• Automotive weather seal.
• Heavy duty slides
• Mounting kit not included - Bottom leg support use M3810P

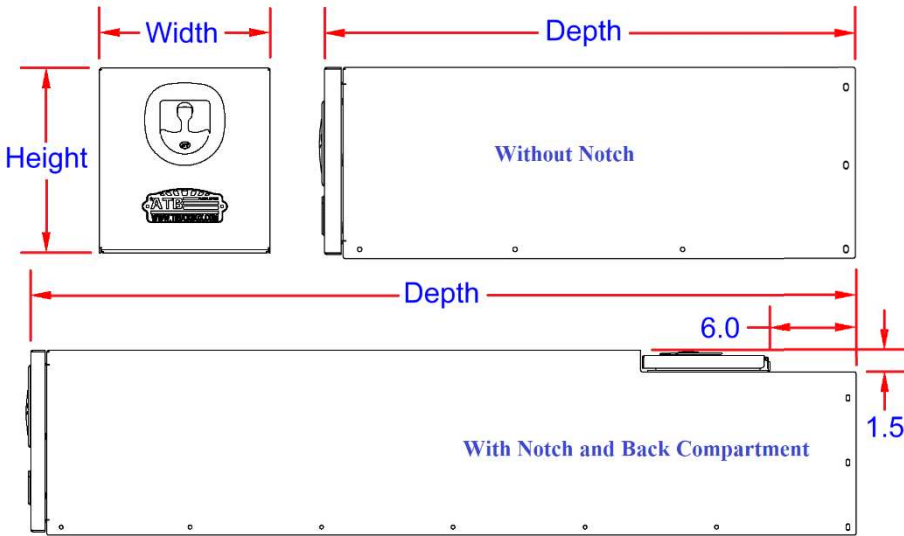
FT41 Side Shelf



FT42 Single Drawer



FT42 Double Drawer



Note: \*Add L-Left (driver) or R-Right (passenger) Drawer Configuration.

No.	Model Number	Material	Height (in.)	Depth (in.)	Width (in.)	Back Compartment	Back Notch	Drawers	Fits Box	Weight (lb.)
1.	A-FT41-12528*-S1	.090 Smooth/.100 TP	12	52	8	N/A	N/A	1 Side Shelf	All	89
2.	A-FT41-12648*-S1	.090 Smooth/.100 TP	12	64	8	N/A	N/A	1 Side Shelf	6'- 8"	118
3.	A-FT41-12708*CN-S1	.090 Smooth/.100 TP	12	70	8	Top	Yes/Top	1 Side Shelf	6.5'	128
4.	A-FT41-12768*CN-S1	.090 Smooth/.100 TP	12	76	8	Top	Yes/Top	1 Side Shelf	6.5'-8	132
5.	A-FT41-135210*-S1	.090 Smooth/.100 TP	13	52	10	N/A	N/A	1 Side Shelf	All	98
6.	A-FT41-136410*-S1	.090 Smooth/.100 TP	13	64	10	N/A	N/A	1 Side Shelf	6'	130
7.	A-FT41-137010*CN-S1	.090 Smooth/.100 TP	13	70	10	Top	Yes/Top	1 Side Shelf	6.5'	138
8.	A-FT41-137510*CN-S1	.090 Smooth/.100 TP	13	76	10	Top	Yes/Top	1 Side Shelf	6.5'-8'	143
9.	A-FT42-135212-S1	.090 Smooth/.100 TP	13	52	12	N/A	N/A	1	All	110
10.	A-FT42-136412-S1	.090 Smooth/.100 TP	13	64	12	N/A	N/A	1	6'	145
11.	A-FT42-137012CN-S1	.090 Smooth/.100 TP	13	70	12	Top	Yes/Top	1	6.5'	156
12.	A-FT42-137612CN-S1	.090 Smooth/.100 TP	13	76	12	Top	Yes/Top	1	6.5'-8'	162
13.	A-FT42-135212-S2	.090 Smooth/.100 TP	13	52	12	N/A	N/A	2	All	150
14.	A-FT42-136412-S2	.090 Smooth/.100 TP	13	64	12	N/A	N/A	2	6'	195
15.	A-FT42-137012CN-S2	.090 Smooth/.100 TP	13	70	12	Top	Yes/Top	2	6.5'	206
16.	A-FT42-137612CN-S2	.090 Smooth/.100 TP	13	76	12	Top	Yes/Top	2	6.5'-8'	232

Note: Measure your truck to make sure box will fits mounting area. Boxes are available in different configuration and custom sizes.