

## TC – Top-Chest Boxes - Aluminum & Steel - Single Top Open Lid

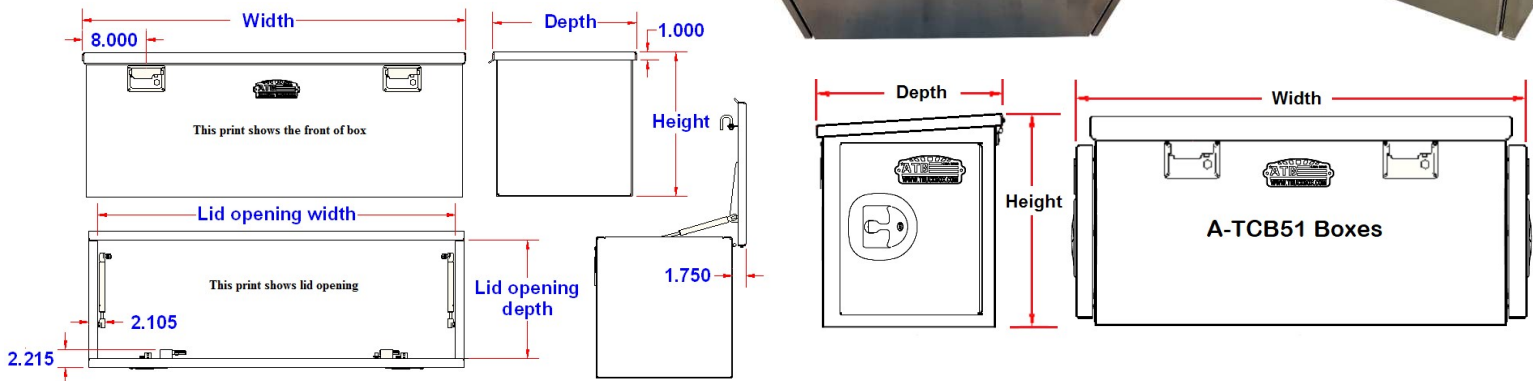
Top-chest boxes are heavy duty and offer easy access to your equipment. Boxes can be mounted on truck box, flatbed or trailer. These boxes are perfect for storing your equipment, tools and personal gear. Chest boxes are available in different sizes and can be ordered custom size. All AMERICAN TRUCKBOXES boxes are designed and built to keep your equipment safe and secure.

### Description

- An engineered aluminum or steel construction
- Fully seam welded on all seams and corners
- Stainless steel continuous hinge on full length of lid
- Channel braced reinforced lid with gas springs on lid
- Zinc epoxy primer with MR powder baked topcoat finish
- Lockable and linked stainless steel latch from either side
- Adjustable lock striker for positive weather seal
- Automotive type weather seal
- Automotive style latch with smooth rotary action
- Optional steel sliding tray available (See Tray Section)
- Mounting kit included - M3200D



Diamond Tread



Notes: Powder Coated Color Finish - Add or Coded at end of part number: BX = Black and WX = White (WX).

Toolboxes less than 48 inches wide come standard with one lock only; however, we can make configuration changes if specified.

No.	Model Number	Material	Height (in.)	Depth (in.)	Width (in.)	Lid Opening Width (in.)	Lid Opening Depth (in.)	Weight (lb.)
1.	A-TC41C-181824S-TT	.100 Tread	18	18	24	20-3/4	14-3/4	30
2.	A-TC41C-181836S-TT	.100 Tread	18	18	36	32-3/4	14-3/4	40
3.	A-TC41B-181848S-TT	.100 Tread	18	18	48	44-3/4	14-3/4	50
4.	A-TC41B-181854S-TT	.100 Tread	18	18	54	50-3/4	14-3/4	55
5.	A-TC41B-181860S-TT	.100 Tread	18	18	60	56-3/4	14-3/4	62
6.	A-TC41C-181824S-T	.090 Smooth/.100 Tread	18	18	24	20-3/4	14-3/4	26
7.	A-TC41C-181836S-T	.090 Smooth/.100 Tread	18	18	36	32-3/4	14-3/4	35
8.	A-TC41B-181848S-T	.090 Smooth/.100 Tread	18	18	48	44-3/4	14-3/4	44
9.	A-TC41B-181854S-T	.090 Smooth/.100 Tread	18	18	54	50-3/4	14-3/4	48
10.	A-TC41B-181860S-T	.090 Smooth/.100 Tread	18	18	60	56-3/4	14-3/4	54
11.	A-TCB41-242065S-TT	.100 Treat Plate	24	20	65	61-3/4	16-3/4	81
12.	A-TCB41-242065S-T	.090 Smooth/.100 Tread	24	20	65	61-3/4	16-3/4	78
13.	S-TC31C-181824S-BX	16 Gauge Steel	18	18	24	20-3/4	14-3/4	50
14.	S-TC31C-181836S-BX	16 Gauge Steel	18	18	36	32-3/4	14-3/4	65
15.	S-TC31B-181848S-BX	16 Gauge Steel	18	18	48	44-3/4	14-3/4	82
16.	S-TC31B-181854S-BX	16 Gauge Steel	18	18	54	50-3/4	14-3/4	90
17.	S-TC31B-181860S-BX	16 Gauge Steel	18	18	60	56-3/4	14-3/4	100