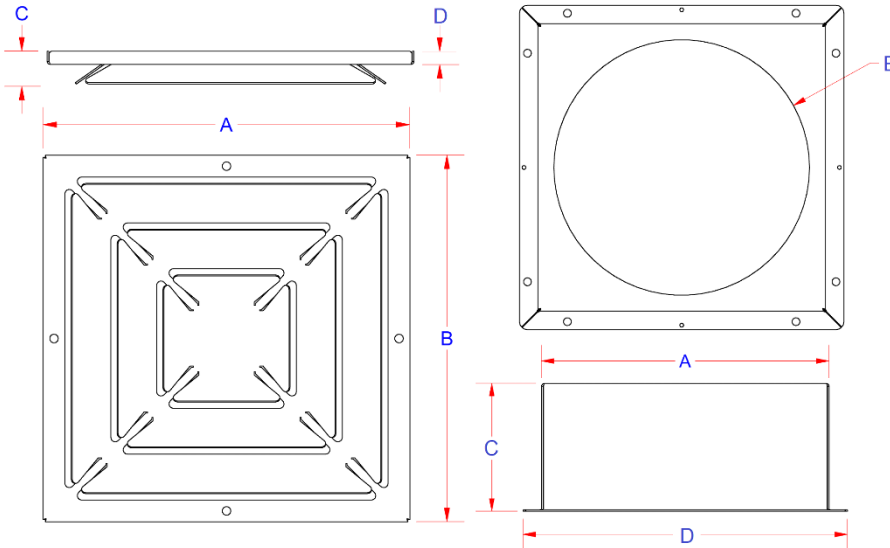
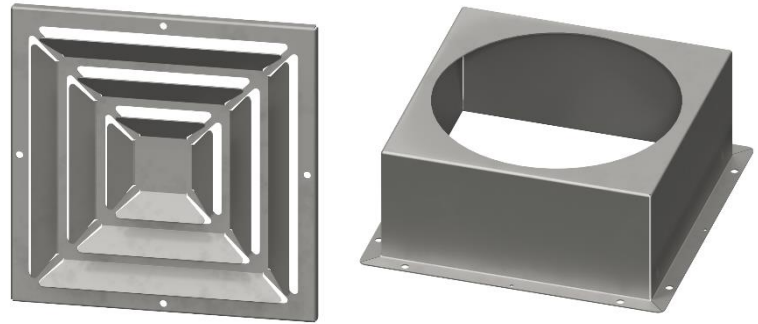


AB – Air Diffuser – Stainless Steel

Air Diffusers and Air Boxes are heavy duty and offer easy installation. Air Diffuse and Duct can be mounted in ceiling and on a wall. Air Diffuse and Ducts are available in different sizes and can be ordered custom size. All AMERICAN TRUCKBOXES products are designed and built to keep your warm and comfortable.

Description

- An engineered 18g stainless-steel construction
- Optional - Zinc epoxy primer with MR Powder baked topcoat finish
- An easy collar connection
- Stainless steel hardware
- Can be ordered in custom sizes
- Listing pending – For indoor and outdoor use



Size	Air Flow Chart									
	200	300	400	500	600	700	800	900	1000	
6"	50	75	100	122	148	170	195	220	250	
PS	.002	.004	.006	.010	.014	.018	.023	.030	.037	
Throw	.5	.75	1.0	2.0	2.0	2.5	3.0	3.5	4.0	
8"	100	150	200	245	295	340	385	445	500	
PS	.005	.007	.010	.015	.022	.029	.038	.049	.060	
Throw	1.2	1.8	2.5	3.5	4.0	4.5	5.0	5.5	6.0	
10"	150	225	300	365	445	500	580	660	750	
PS	.007	.009	.014	.021	.030	.041	.054	.068	.084	
Throw	2.0	3.0	4.0	5.5	6.5	8.0	9.0	10.5	11.5	
12"	200	300	400	485	585	675	630	880	1005	
PS	.007	.009	.015	.023	.033	.045	.060	.072	.094	
Throw	2.8	4.1	5.5	7.0	8.5	10.0	11.5	13.0	14.5	
14"	365	410	550	670	815	930	1060	1210	1380	
PS	.011	.017	.023	.036	.051	.071	.093	.115	.140	
Throw	3.5	5.2	7.0	8.5	10.5	12.0	13.5	15.5	17.0	
16"	360	540	720	875	1070	1220	1390	1585	1805	
PS	.014	.021	.028	.040	.060	.080	.098	.120	.160	
Throw	4.2	6.4	8.5	10.0	12.0	13.5	15.0	17.0	18.5	
18"	450	675	900	1095	1340	1525	1740	1980	2260	
PS	.015	.022	.030	.044	.068	.098	.121	.126	.170	
Throw	4.7	7.1	9.5	12.0	16.0	18.0	22.0	25.0	28.0	
20"	525	785	1050	1281	1560	1780	2030	2315	2640	
PS	.016	.024	.032	.048	.074	.105	.134	.138	.180	
Throw	5.2	7.8	10.5	13.5	17.5	19.5	24.0	27.0	30.0	

Optional: Powder coated white (color) replace N with W at end of part number.

No.	Model Number	Description	Size (in.)	CFM NV-400	A (in.)	B (in.)	C (in.)	D (in.)	E (in.)	Weight (lbs.)
1.	SS-AD21-6-N	Air Diffuser	6	100	8.5	8.5	1.625	1	N/A	.6
2.	SS-AD21-8-N	Air Diffuser	8	200	10.5	10.5	1.625	1	N/A	0.8
3.	SS-AD21-10-N	Air Diffuser	10	300	12.5	12.5	1.625	1	N/A	1.2
4.	SS-AD21-12-N	Air Diffuser	12	400	14.5	14.5	1.625	1	N/A	1.6
5.	SS-AD21-14-N	Air Diffuser	14	550	16.5	16.5	1.625	1	N/A	2.2
6.	SS-AD21-16-N	Air Diffuser	16	720	18.5	18.5	1.625	1	N/A	2.7
7.	SS-AD21-18-N	Air Diffuser	18	900	20.5	20.5	1.625	1	N/A	3.5
8.	SS-AD21-20-N	Air Diffuser	20	1050	22.5	22.5	1.625	1	N/A	4.2
9	SS-AB21-6-N	Air Box	6	N/A	7	7	4	8-1/8	6	1.1
10.	SS-AB21-8-N	Air Box	8	N/A	9	9	4	10-1/8	8	1.8
11.	SS-AB21-10-N	Air Box	10	N/A	11	11	4	12-1/8	10	2.8
12.	SS-AB21-12-N	Air Box	12	N/A	13	13	4	14-1/8	12	4.0
13.	SS-AB21-14-N	Air Box	14	N/A	15	15	4	16-1/8	14	5.5
14.	SS-AB21-16-N	Air Box	16	N/A	17	17	4	18-1/8	16	7.2
15.	SS-AB21-18-N	Air Box	18	N/A	19	19	4	20-1/8	18	9.1
16.	SS-AB21-20-N	Air Box	20	N/A	21	21	4	22-1/8	20	11.3